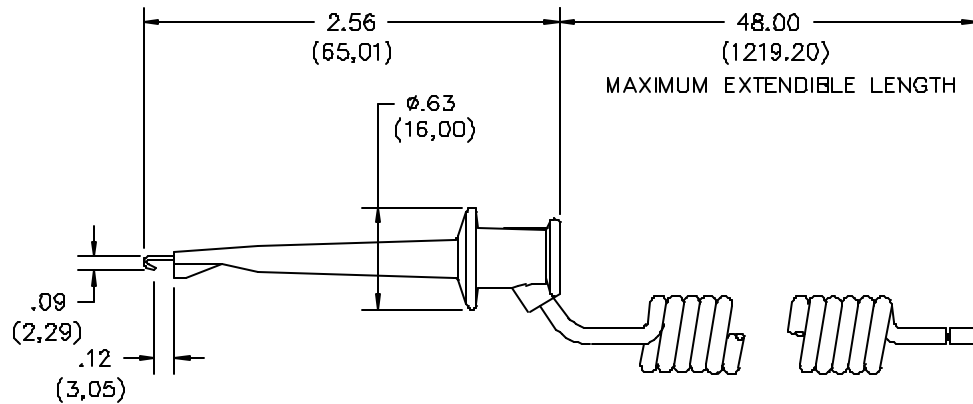


## Model 4536 Minigrabber® Test Clip, One End With Retractable (Coiled) Cord



### FEATURES:

- Retractable cord to allow connections at various lengths.
- One end open to allow a technician to build a custom load.
- The open end may be used with Model #5169, 5167, 3650, 5173 and various other “Do IT Yourself” Pomona products.

### MATERIALS:

Conn: 1<sup>st</sup> End - Minigrabber® Test Clip

Material: Contact – Beryllium Copper per QQ-C-533, Alloy 165.

Spring – Stainless steel, Alloy 302.

Finish: Contact – Gold plated per MIL-G-45204, Type I, Class 00.

Insulation: Glass filled nylon. Color matches color of wire.

Retractable Cord: 20 AWG, stranding 42 x 36 t.c., PVC insulated, 3.71 (.146) O.D.

Color: See Ordering Information

Marking: “POMONA 4536.”

Conn: 2<sup>nd</sup> End – None

### RATINGS:

Operating Temperature: +60°C. (+140°F.) Max.

Operating Voltage: Hand-Held Testing: 30VAC/60VDC Max.

Current: 5 Amperes

### ORDERING INFORMATION: Model 4536-\*

\*= Color, -0 Black, -2 Red

Ordering Example: 4536-2 Adapter Color is Red

All dimensions are in inches. Tolerances (except noted): .xx = ±.02” (.51 mm), .xxx = ± .005” (.127 mm).

All specifications are to the latest revisions. Specifications are subject to change without notice.

Registered trademarks are the property of their respective companies. Made in USA